

Overture-7000

Series

Central Pay-on-Foot Station



The Overture-7000 Series Central Pay-on-Foot Station provides automated revenue collection with the convenience of accepting payment via bills, coins or credit cards. This slim, compact device includes self-refilling coin hoppers enabling the unit to easily handle locations that service a high volume of customers. The 8.4" touch screen color display easily guides patrons through the payment process and is approved for ADA compliancy.

Features

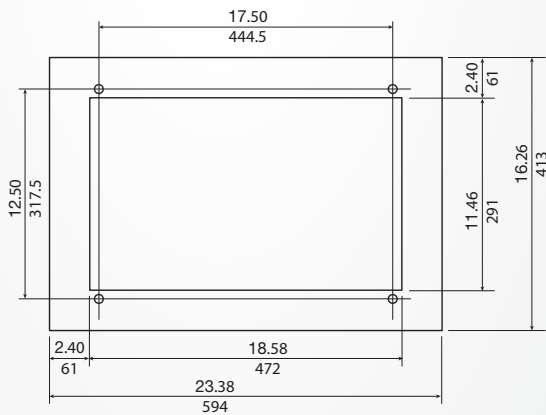
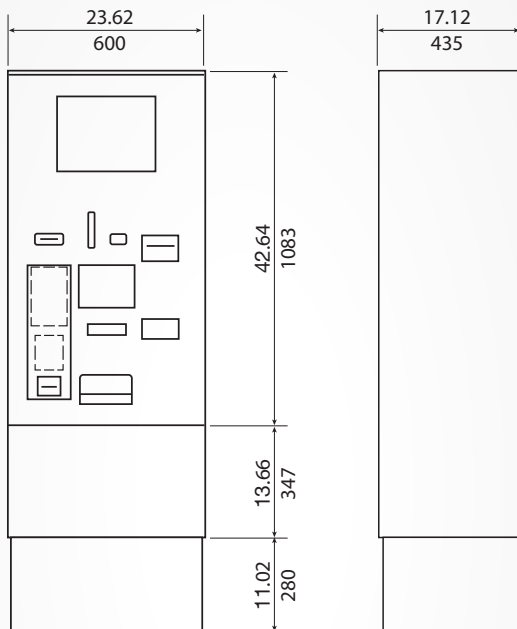
- 15" touch screen color display-sunlight readable
- 8.4" touch screen color display-sunlight readable
- Bank note and coin acceptance
- Coin recycling
- Four way bank note reading
- Credit card acceptance optional
- Linear barcode system
- Illuminated components for ease of use
- Uses common hardware components for fewer inventoried parts and reduced service training
- Device programming via host software
- TCP/IP network connectivity
- Thermal printer, bulk roll paper
- Integrated proximity reader optional
- Integrated intercom, multiple vendor kits optional
- Integrated IP camera optional
- Unattended day pass sales-standard, requires optional barcode reader at Overture 2000 unit
- EMV capability optional



Overture-7000

Series

Central Pay-on-Foot Station



Overture 7000 footprint

SPECIFICATIONS

COMPLIANCE

RoHS Compliant

Overture-7000 Series Central Pay-on-Foot Station does not store credit card data
Meets ADA (Americans with Disabilities Act) and ANSI (American National Standards Institute) requirements

ELECTRICAL

Power Source: 120 VAC, 60 Hz

Utilization: 12 amp maximum (120V)

MECHANICAL

Thermal receipt printer

TIME CONTROL

Real-time clock synchronization with host computer

ENVIRONMENT

Temperature: -14°F ~ 104°F (-10°C ~ 40°C)
Optional automatic thermostat-controlled heater

Humidity: 10% ~ 90% (non-condensing)

HOUSING

Heavy-duty, aluminum construction, weather gasketing, lockable door

Dimensions: 76.1"H x 23.5"W x 16.3"D (193.3 cm x 59.7 cm x 41.5 cm)

Weight: 396.8 lbs. (180 kg)

Construction: Sheet steel housing; metal door with tempered glass overlay

Finish (Standard): Cabinet powder coat finish: RAL#7022 gray

RECEIPT PRINTER

Thermal print with bulk paper roll

OPTIONS

Proximity access card models optional

TCP/IP security camera optional

EMV optional

SECURITY

Standard safety lock system

Dual security lock system (optional)

Security locks on money handling compartments

INTERCOM

Integrated VoIP intercom optional