

AMG-1700

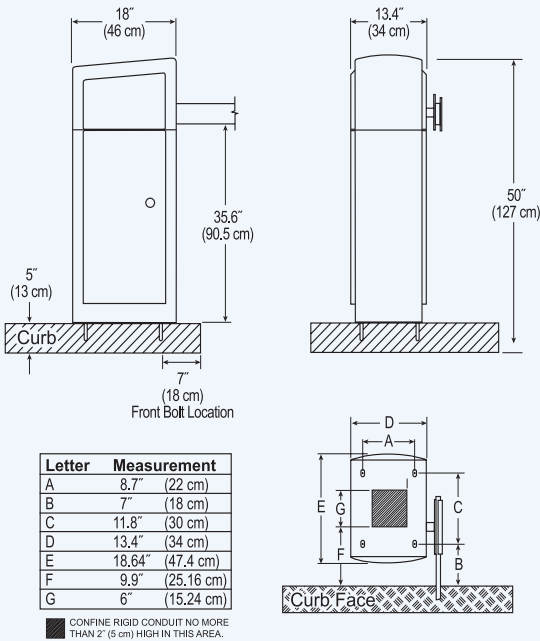
Series

Parking Gate



Amano McGann's AMG-1700 Series Revenue Parking Gate is designed to meet all your parking control needs. The microprocessor-based logic and functionality provides the ultimate in reliability, performance and safety, as well as the flexibility to accommodate four different modes of operation.

Parking Gate
AMG-1700



FEATURES

- Slim, cabinet-style design* ◀
- Four selectable modes of operation* ◀
- Pre-installed detector harness* ◀
- Microprocessor-based logic and functionality* ◀
- Standard "extra sensory" safety feature* ◀
- Instant reversing motor* ◀
- 1/3 horsepower motor with sealed gear reducer* ◀
- Internal thermal/overload protection* ◀
- Thermostat-controlled heater* ◀
- 12' standard gate arm, and 11' standard folding gate arm configurations available* ◀
- Dual powder coat finish* ◀

REPRESENTED BY:

SPECIFICATIONS

ELECTRICAL

120V AC, 60 Hz
220/240V AC, 50/60 Hz
Service amps: 20A (120V)
Connections: Four utility power outlets
DIN rail terminal blocks including logic
Main power breakers
Field wiring: Removable terminal block assembly
Dry contact input, output
12V DC unregulated

MOTOR CHARACTERISTICS

Horsepower: 1/3 single-phase instantly reversing motor
Speed: 1625 RPM
Starting amps: 10A (120V) maximum
Running amps: 4.5A (120V)
Heavy-duty V-belt to drive speed reducer
Internal thermal/overload protection

ENVIRONMENT

Temperature: -20°F ~120°F (-29°C ~ 49°C)
Automatic thermostat-controlled heater included
Humidity: 10% ~ 90% (non-condensing)

HOUSING

Heavy-duty, 14-gauge all-weather steel construction
Dimensions: 45.1"H x 13.4"W x 18.6"D (114 cm x 34 cm x 47 cm)
Weight: 166 lbs. (75 kg)
Access: Removable cover on drive mechanism (360° access)
Lockable door (access to electrical connections and control box)
Finish (Std): Textured powder coat finish OPUS (RAL#7022); custom color available

GATE ARM

Height: 34" (86 cm) as shipped in down position
Length: AL12: 12' (365 cm) — aluminum
AL25: 11' (323 cm) folding gate arm — aluminum
Optional sonic alert: Audible alarm kit (AGP-0517/A627)

MICROPROCESSOR-BASED CONTROLLER

Quick, plug-in installation. Gate up/normal/down switch (internal manual override).
Operation modes: One way pay
Bi-directional lane
Free direction
Input/output lane controller
Switch selectable features: "Extra sensory" timer
Backout timer
Closing loop safety "auto stop"

Specifications are approximate and are subject to change without notice.
UL approval does not apply to 220/240V AC, 50/60 Hz



AMANO McGANN

2699 Patton Road, Roseville, MN 55113
Tel: (612) 331-2020 www.amanomcgann.com